

## Dual-Stage High Performance EMI Filter AMI-28 Series



- Rated current from 1 to 16 A
- Dual-stage filter with good low frequency attenuation
- High differential mode and common mode attenuation performance
- Optional medical version (Type B)
- Optional safety version (Type A)

### Approvals:



### Technical Specifications

Maximum continuous operating voltage: 250VAC, 50/60Hz

Operating frequency: DC to 400Hz

Rated currents: 1 to 16A @ 40°C max.

High potential test voltage: L → PE 3000VDC for 2 sec (standard types)

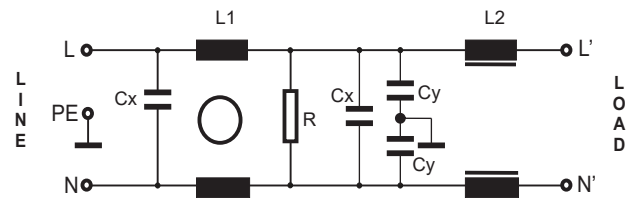
L → PE 3500VDC for 2 sec (B types)

L → N 1100VDC for 2 sec

Temperature range (operation and storage): -25°C to +100°C (25/100/21)

Design corresponding to: UL 1283.

### CIRCUIT DIAGRAM:



### Features and Benefits

- AMI-28 dual-stage filters are designed for easy and fast chassis mounting.
- The AMI-28 filters are also available as B versions with no Y-capacitors for medical applications as well as A versions with low capacitance for safety critical applications with requirements for low leakage currents.
- All filters provide a general purpose conducted attenuation performance, based on chokes with high saturation resistance and excellent thermal behavior.
- The AMI-28 filter are designed for good low frequency attenuation.
- Various terminal options allow you to select the desired connection style

### Typical Applications

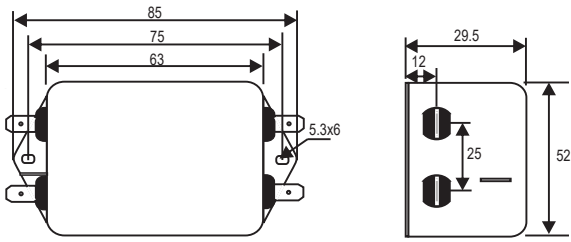
- Consumer electronics
- Computing & accessories
- Residential appliances
- Medical accessories
- Electronic data processing equipment
- Office automation equipment
- Industrial applications
- Power supplies
- Various noisy application requires good attenuation performance filter



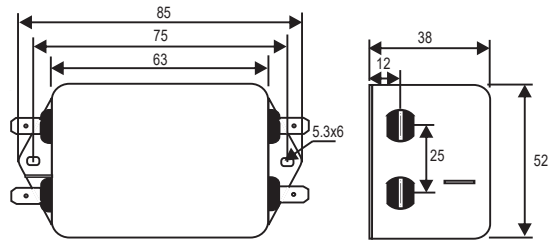
# General EMI Filter with High Attenuation Performance

## MECHANICAL DIMENSION (mm):

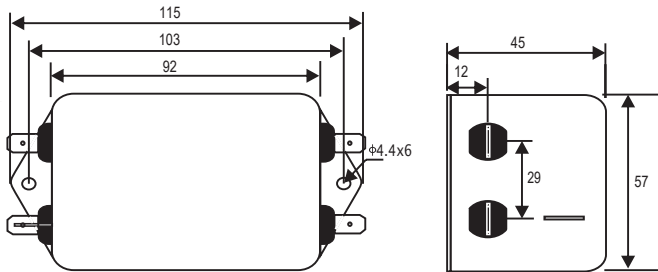
CONNECTION TYPE -1  
1A



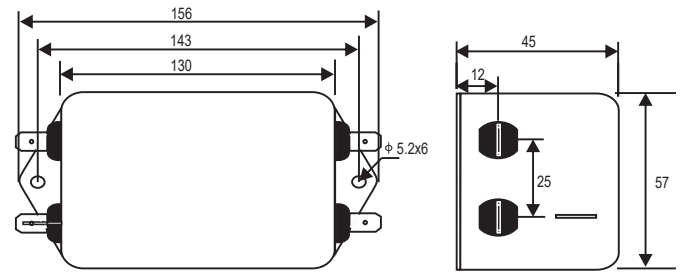
CONNECTION TYPE -1  
3A



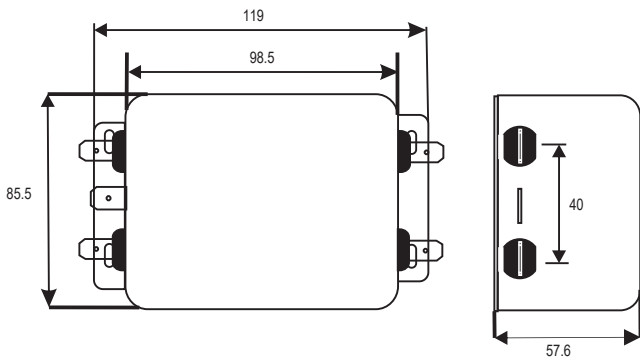
CONNECTION TYPE -1  
6A



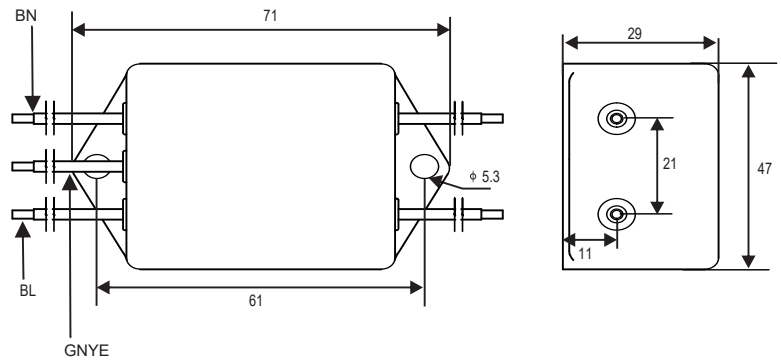
CONNECTION TYPE -1  
10A & 12A



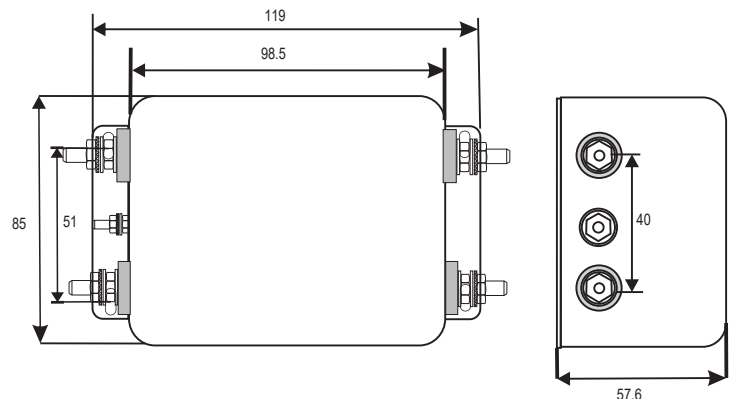
CONNECTION TYPE -1  
16A



CONNECTION TYPE -3  
16A



CONNECTION TYPE -6  
16A



**NOTE:**

All Dimension in mm

- Connection type: 1 - Spade Terminals (6.3 x 0.8)
- 3 - Wire leads (140mm on both sides)
- 6 - Threaded Bolt Terminals (M4)